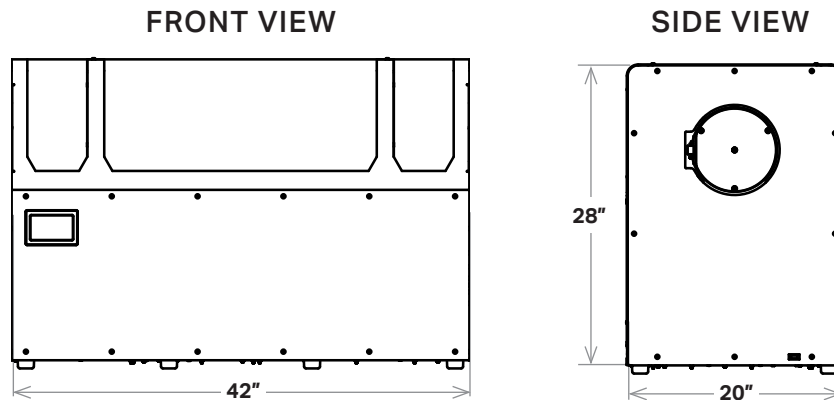


PRODUCT SPECIFICATIONS

Sinter-1

The Markforged Sinter-1 is a high performing, high value furnace - it's affordable, sizable, and reliable. Featuring 4760 cubic cm of working volume, The Sinter-1 effortlessly converts washed parts into their dense final metallic form. Built on 30 years of Metal Injection Molding (MIM) technology, it is ideal for sintering medium sized parts and small batch production.

Furnace Properties	Materials Supported	Commercial Grade Metals Including: Stainless Steel, Tool Steel, Inconel, & Titanium
	Heating Element	Kanthal
	Controller	Pre-Programmed Automatic Cycling
	Peak Temperature	1300° C / 2372°F
	Sintering Capacity	Cylindrical – 141 mm ID x 305 mm L (5.55 in ID x 12 in L)
	Sintering Volume	4760 cubic cm (290 cubic in)
	Gas Types	Inert and Mix Gases
	Retort	High Purity Refractory Retort (Carbon Free)
	Sintering Surface	Ceramic
Safety & Installation	Environmental Req.	External Exhaust (100 CFM)
	Power	200 - 240 V Single Phase 36A, Recommend Wiring 50A
	Over Temperature	Protection System Included
Physical Dimensions	External Dimensions	1067 x 505 x 720 mm (42 x 20 x 28 in)
	Weight	136 kg (300 lbs)



Note: All specifications are approximate and subject to change without notice